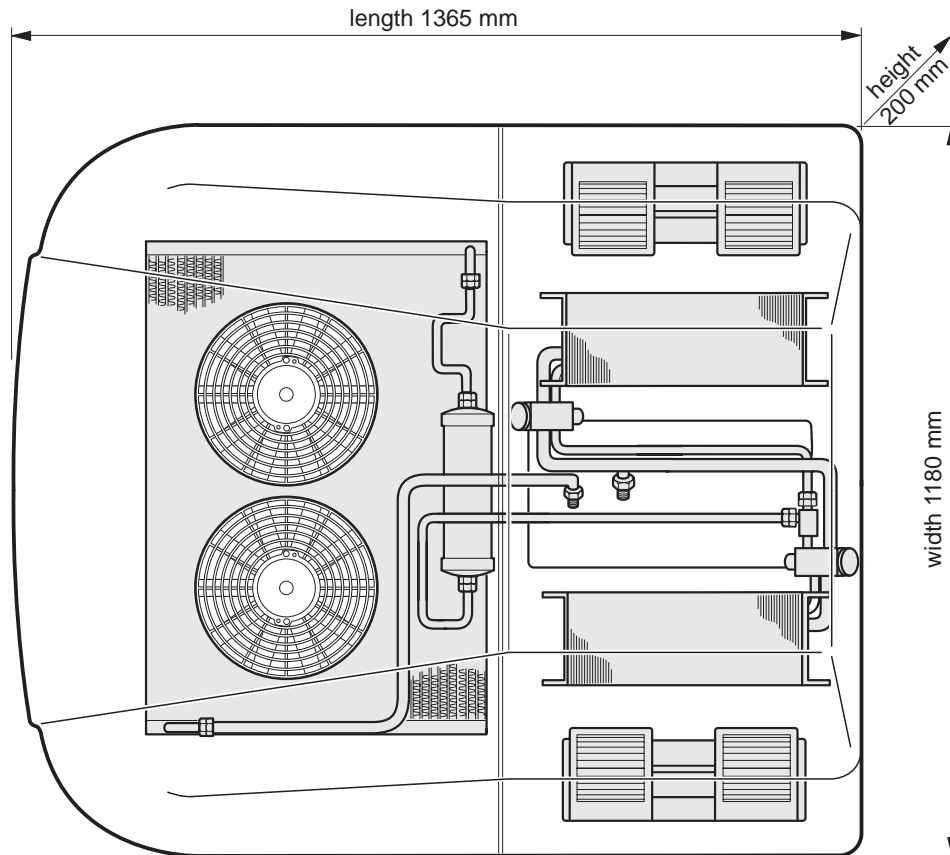


TA-2220 • 12V • p.n. 4500-220

TA-2221 • 24V • p.n. 4500-221



NOMINAL TECHNICAL DATA:

Cooling Capacity : 10 Kw

Working Voltage : 12V d.c. / 24V d.c.

Power Consumption : 44A - 12V / 22A - 24V

Airflow (at Zero Static Pressure) : 1600 m³/h

Weight : 41 Kg

Recommended Compressor : Sanden SD7H15